

HARRIER 10x AF-ZOOM CAMERA

LVDS / EX-SDI / CVBS

AS-CAM-10LHD-A



- 1080p 60fps, 10x optical zoom block camera
- Full HD, LVDS/EX-SDI/Analog output
- VISCA and Pelco-P/D support
- LVDS output compatible with Harrier camera interface boards

FEATURES

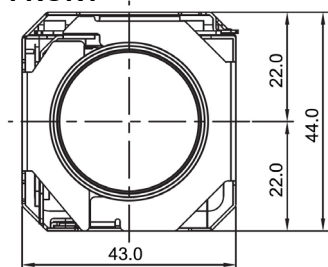
- 1/2.8" 2MP Sony IMX462 CMOS sensor.
- 1080p - 60/50/30/25 fps, 720p - 60/50/30/25 fps.
- 10x Optical Zoom & 32x Digital Zoom.
- Day & Night mode - Infrared Cut filter Removal (ICR).
- Real-time True Wide Dynamic Range (WDR).
- Digital Noise Reduction (2D+3D DNR).
- Privacy Mask Function.
- Digital Image Stabilization.
- High/Back Light Compensation (HLC/BLC).
- Intelligent Motion Detection.
- Defog Function.
- VISCA, Pelco-D/P Control Protocol



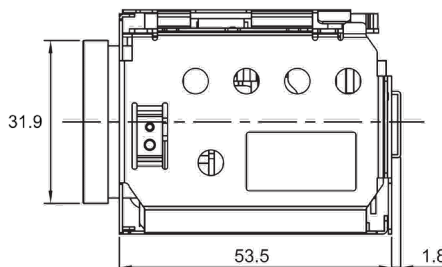
AS-CAM-10LHD-A

Dimensions

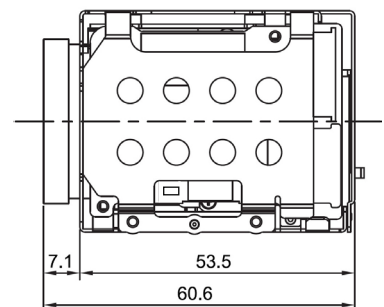
FRONT



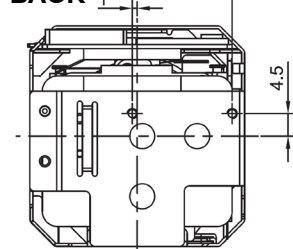
RIGHT



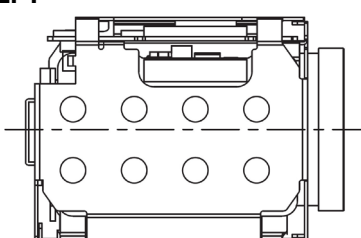
TOP



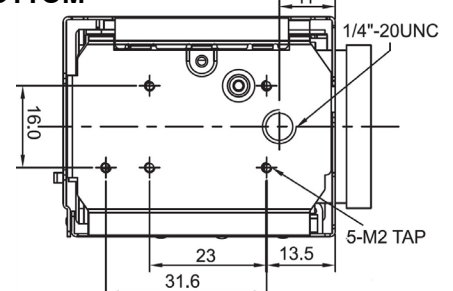
BACK



LEFT



BOTTOM



AS-CAM-10LHD-A					
Total Pixels	1,945 (H) x 1,109 (V) 2.16M Pixels		Eff. Pixels	1,945 (H) x 1,097 (V) 2.13M Pixels	
Video Modes	1080p/60(50)fps, 1080p/30(25)fps, 720p/60(50)fps, 720p/30(25)fps		Min. Illum.	Color: 0.003 lux, BW: 0.0004 lux, DSS - Color: 0.00075 lux, BW: 0.0001 lux	
S/N ratio	more than 50dB(AGC off)		F. length	f = 5.1mm ~ 51mm	
Aperture	F1.6(wide) ~ F1.8(tele)		Exposure	Auto/Iris Priority/Shutter Priority/Manual	
View Angle Wide/Tele	64° (D)	57° (H)	34° (V)	Shutter spd.	1/30(25) - 1/30,000 sec
	7.1° (D)	6.2° (H)	3.5° (V)		Iris
DSS	Off / 2x / 4x / (8x:60 or 50 fps only)		Brightness	20 steps	
WDR/BLC	OFF / WDR / BLC		Day & Night	Auto / Day / Night / Ext-in	
HLC	OFF / ON / Night only		White Bal.	Auto/One Push/Manual/Indoor/Outdoor	
Sharpness	0 - 10 steps		DNR	OFF / Low / Middle / High / Auto	
Defog	OFF / ON (Auto/Manual)		Privacy	Mask OFF / 24 positions	
Min. dist.	0.1m to 1m (wide to tele)		Motion	Detection OFF / 3 positions	
Control Protocol	Serial VISCA Pelco-D / Pelco-P		Baud Rate	9600 / 19200 / 38400 / 57600 / 115200	
Voltage	9 - 15V DC		Current	250mA typical, max 499mA	
Storage	-20°C – +60°C (Humidity: 0%RH – 90%RH)		Operation	-10°C – +50°C (Humidity: 0%RH – 90%RH)	
Dimensions	62.4(L) x 43(W) x 44(H) (mm)		Weight	112g	



ORDERING INFORMATION

PART NUMBER	DESCRIPTION
AS-CAM-10LHD-A	Harrier 10x AF-Zoom Camera (LVDS/EX-SDI)
AS-CIB-USBHDMI-002-10LHD-A	Harrier 10x AF-Zoom USB/HDMI Camera
AS-CIB-3GSDI-002-10LHD-A	Harrier 10x AF-Zoom 3G-SDI Camera
AS-CIB-IP-00x-10LHD-A	Harrier 10x AF-Zoom IP Camera

CONTACT DETAILS

Headquarters:

Active Silicon Ltd
Pinewood Mews, Bond Close, Iver,
Bucks, SL0 0NA, UK.

Tel: +44 (0)1753 650600
Fax: +44 (0)1753 651661
Email: info@activesilicon.com
Website: www.activesilicon.com

North America:

Active Silicon, Inc.
479 Jumpers Hole Road, Suite 301,
Severna Park, MD 21146, USA.

Tel: +1 410-696-7642
Fax: +1 410-696-7643
Email: info@activesilicon.com
Website: www.activesilicon.com