

HARRIER 10x AF-ZOOM SDI CAMERA

3G-SDI / HD-SDI / EX-SDI / CVBS

AS-CAM-10SHD-A

- 1080p 60fps, 10x optical zoom block camera
- Full HD, 3G-SDI/HD-SDI/EX-SDI/TVI 2.0/CVBS
- VISCA and Pelco-P/D support

FEATURES

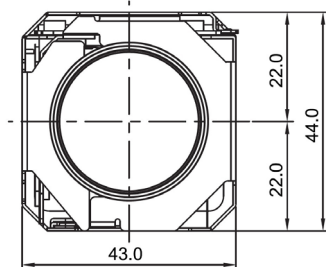
- 1/2.8" 2MP Sony IMX462 CMOS sensor.
- 1080p - 60/50/30 fps, 720p - 60/50/30 fps.
- 10x Optical Zoom & 32x Digital Zoom.
- Day & Night mode - Infrared Cut filter Removal (ICR).
- Real-time True Wide Dynamic Range (WDR).
- Digital Noise Reduction (2D+3D DNR).
- Privacy Mask Function.
- Digital Image Stabilization.
- High/Back Light Compensation (HLC/BLC).
- Intelligent Motion Detection.
- Defog Function.
- VISCA, Pelco-D/P Control Protocol



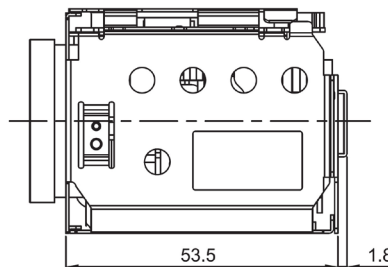
AS-CAM-10SHD-A

Dimensions

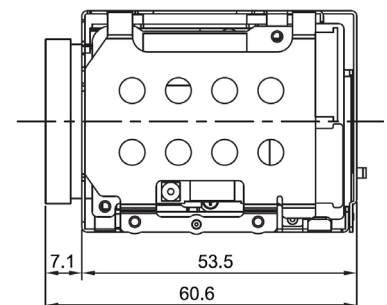
FRONT



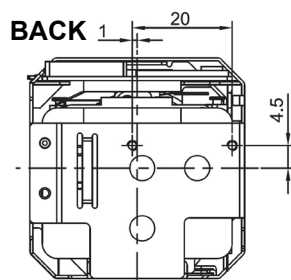
RIGHT



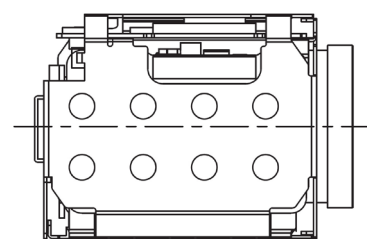
TOP



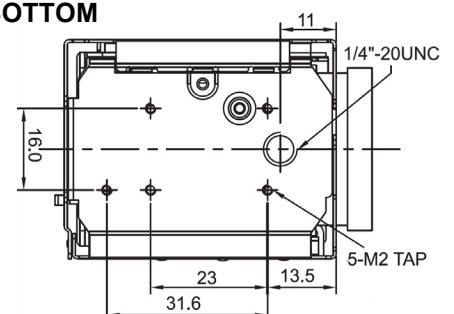
BACK



LEFT



BOTTOM





AS-CAM-10SHD-A					
Total Pixels	1,945 (H) x 1,109 (V) 2.16M Pixels			Eff. Pixels	1,945 (H) x 1,097 (V) 2.13M Pixels
Video Modes	1080p/60(50)fps, 1080p/30(25)fps, 720p/60(50)fps, 720p/30(25)fps			Minimum Illumination	Color: 0.003 lux, BW: 0.0004 lux, DSS - Color: 0.00075 lux, BW: 0.0001 lux
S/N ratio¹	more than 50dB (AGC off)			Focal length	f = 5.1mm ~ 51mm
Aperture	F1.6 (wide) ~ F1.8 (tele)			Exposure	Auto/Iris Priority/Shutter Priority/Manual
View Angle Wide/Tele	61.42° (D)	54.74° (H)	32.47° (V)	Shutter spd.	1/30(25) - 1/30,000 sec
	6.9° (D)	6.01° (H)	3.38° (V)		
DSS²	Off / 2x / 4x / (8x: 60 or 50 fps only)			Brightness	0 - 20 steps
WDR/BLC³	OFF / WDR / BLC			Day & Night	Auto / Day / Night / Ext-in
HLC⁴	OFF / ON / Night only			White Bal.	Auto/One Push/Manual/Indoor/Outdoor
Sharpness	0 - 10 steps			DNR⁵	OFF / Low / Middle / High / Auto
Defog	OFF / ON (Auto/Manual)			Privacy	Mask OFF / 24 masks
Minimum Distance	0.1m to 10m (depending on Near Focus Limit and Zoom setting)			Motion	Detection OFF / 3 regions
Control Protocol	Serial VISCA Pelco-D / Pelco-P			Baud Rate	9600 / 19200 / 38400 / 57600 / 115200
Voltage	9 - 15V DC			Current	250mA typical; max 400mA
Storage	-20°C - +60°C (Humidity: 0%RH - 90%RH)			Operation	-10°C - +50°C (Humidity: 0%RH - 90%RH)
Dimensions	62.4(L) x 43(W) x 44(H) (mm)			Weight	112g

1: Signal-to-Noise ratio, 2: Digital Slow Shutter, 3: Wide Dynamic Range/Back Light Compensation, 4: High Light Compensation, 5: Digital Noise Reduction

ORDERING INFORMATION

PART NUMBER	DESCRIPTION
AS-CAM-10SHD-A	Harrier 10x AF-Zoom SDI Camera (3G-SDI/HD-SDI/EX-SDI/analog)
AS-CAM-SDI-EVAL-A	Evaluation kit for AS-CAM-10SHD-A camera



CONTACT DETAILS

Headquarters:

Active Silicon Ltd
1 Waterside Court, Waterside Drive,
Langley, Berks, SL3 6EZ, UK.

Tel: +44 (0)1753 650600
Email: info@activesilicon.com
Website: www.activesilicon.com

North America:

Active Silicon, Inc.
479 Jumpers Hole Road, Suite 301,
Severna Park, MD 21146, USA.

Tel: +1 410-696-7642
Email: info@activesilicon.com
Website: www.activesilicon.com