

# HARRIER 40x AF-ZOOM CAMERA

## LVDS / CVBS

### AS-CAM-40LHD-A



- 1080p 60fps, 40x optical zoom block camera
- Full HD, LVDS and analog video output
- VISCA serial and Pelco – P/D camera control
- LVDS output compatible with Harrier camera interface boards

## FEATURES

- 1/2.8" 2MP Sony IMX462LQR-C CMOS sensor.
- 1080p – 60/50/30/25 fps, 720p – 60/50/30/25 fps.
- 40x Optical Zoom & 32x Digital Zoom.
- Video Out: LVDS, CVBS
- Real-time True Wide Dynamic Range (WDR).
- Digital Image Stabilization and Noise Reduction.
- Privacy Mask Function and Intelligent Motion Detection.
- Day & Night mode - Infrared Cut filter Removal (ICR).
- High Light Compensation (HLC).
- Serial VISCA, Pelco - D/P Control Protocol.



**AS-CAM-40LHD-A**

## OVERVIEW

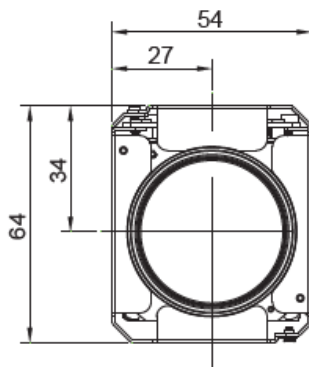
The **Harrier 40x AF-Zoom Camera** is fitted with a 2MP Sony CMOS sensor and offers real-time full HD video output and a powerful 40x optical zoom (32x digital zoom).

The camera simultaneously provides LVDS video and analog CVBS output. Serial VISCA or Pelco-D/P control protocols are available to control the camera.

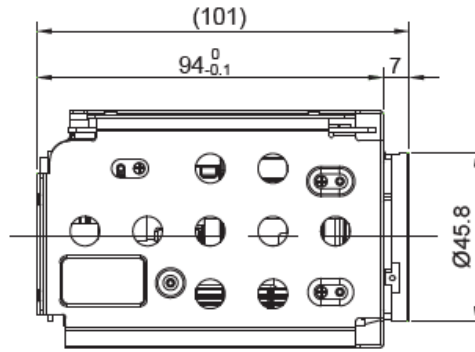
Special features of this autofocus-zoom block camera include Digital Image Stabilization, Digital Noise Reduction (2D+3D), Privacy Mask Function, High Light Compensation, Intelligent Motion Detection, Defog Function and Day & Night mode (Infrared Cut filter Removal, ICR).

The Harrier 40x AF-Zoom Camera is compatible with all Harrier camera interface boards, which convert the camera LVDS output to video formats such as 3G-SDI, HD-VLC, USB 3 (UVC) and HDMI. For more information please contact Active Silicon.

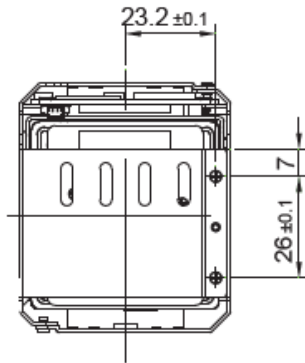
## DIMENSIONS



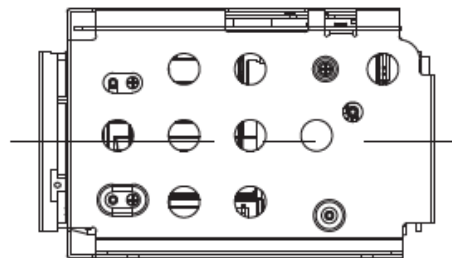
FRONT



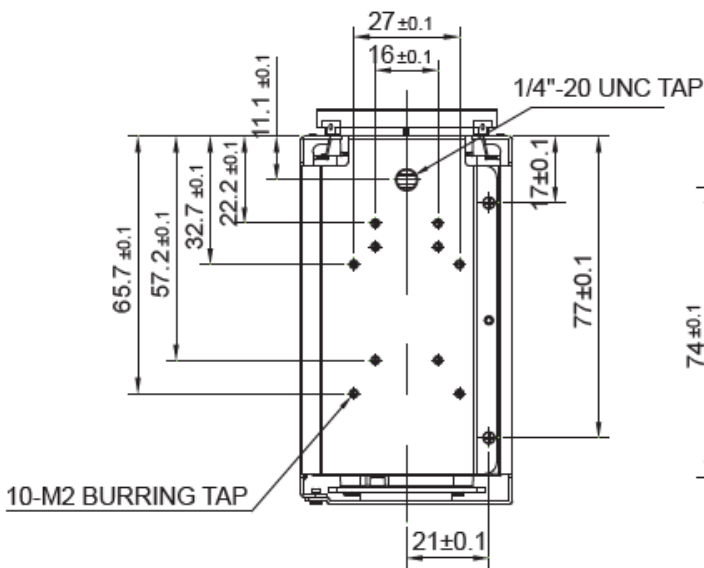
LEFT



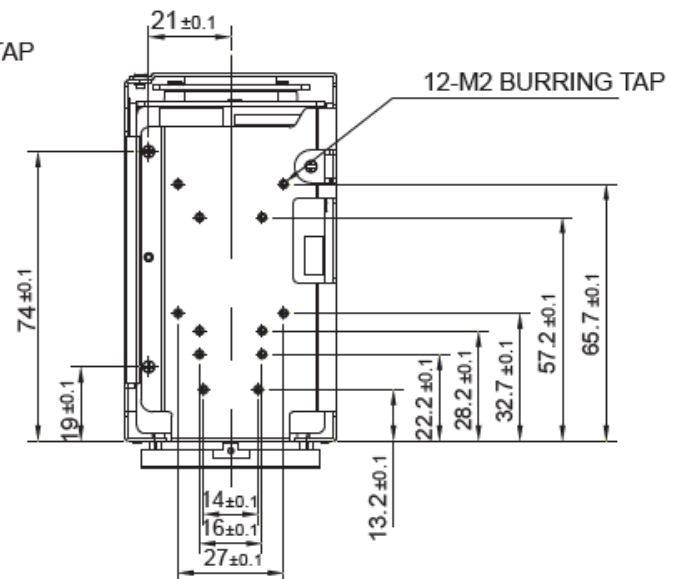
BACK



RIGHT



BOTTOM



TOP

<b>AS-CAM-40LHD-A</b>					
<b>Total Pixels</b>	1,945(H) x 1,109(V) = 2.16M pixels		<b>Eff. Pixels</b>	1,937(H) x 1,097(V) = 2.12M pixels	
<b>Video Modes</b>	1080p60/50/30/25 fps, 720p/60/50/30/25 fps		<b>Min. Illum.</b>	Color(1/30s, 79.5dB) : 0.01 lux , Color DSS(1/1s, 79.5dB) : 0.001 lux	
<b>S/N ratio</b>	more than 50dB (AGC off)		<b>F. length</b>	f = 4.25 mm ~ 170 mm	
<b>Aperture</b>	F1.6 (wide) ~ F4.95 (tele)		<b>Exposure</b>	Auto/Iris Priority/Shutter Priority/Manual	
<b>View Angle Wide/Tele</b>	73.8° (D)	66.35° (H)	39.99° (V)	<b>Shutter spd.</b>	1/30(25) ~ 1/30,000 sec
	2.16° (D)	1.9° (H)	1.11° (V)		<b>Iris</b>
<b>Day &amp; Night</b>	Auto / Day / Night / Ext-in		<b>Brightness</b>	0-14 steps	
<b>Min. Distance</b>	0.1 / 1.5 / 3.0 / 6.0 / 10.0 m		<b>DSS</b>	OFF / 2x / 4x / 8x / 16x / 32x (/64x : 60 or 50fps mode only)	
<b>WDR</b>	OFF / ON (Line/Frame)		<b>White Bal.</b>	Auto/One Push/Manual/Indoor/Outdoor	
<b>Sharpness</b>	0 - 10 steps		<b>DNR</b>	Auto / OFF / Low / Middle / High	
<b>Defog</b>	OFF / ON (Auto/Manual)		<b>Privacy</b>	Mask OFF / ON (8 positions)	
<b>ACE</b>	OFF / Low / Middle / High		<b>Motion</b>	Detection OFF / ON (4 positions)	
<b>Control Protocol</b>	Serial VISCA Pelco-D / P		<b>Baud Rate</b>	2400 / 4800 / 9600 / 19200 / 38400 / 57600 / 115200	
<b>Voltage</b>	9 - 15V DC		<b>Current</b>	600mA	
<b>Storage</b>	-20°C – +60°C (Humidity: 0%RH – 90%RH)		<b>Operation</b>	-10°C – +50°C (Humidity: 0%RH – 90%RH)	
<b>Dimensions</b>	101(L) x 54(W) x 64(H) mm		<b>Weight</b>	355g	



## ORDERING INFORMATION

<b>PART NUMBER</b>	<b>DESCRIPTION</b>
<b>AS-CAM-40LHD-A</b>	Harrier 40x AF-Zoom Camera (LVDS/CVBS)
<b>AS-CIB-USBHDMI-002-40LHD-A</b>	Harrier 40x AF-Zoom USB/HDMI Camera
<b>AS-CIB-3GSDI-002-40LHD-A</b>	Harrier 40x AF-Zoom 3G-SDI Camera
<b>AS-CIB-IP-00x-40LHD-A</b>	Harrier 40x AF-Zoom IP Camera; four variants incl. wireless and PoE options (x=1, 2, 3 or 4)

## CONTACT DETAILS

### Headquarters:

Active Silicon Ltd  
Pinewood Mews, Bond Close, Iver,  
Bucks, SL0 0NA, UK.

Tel: +44 (0)1753 650600  
Fax: +44 (0)1753 651661  
Email: [info@activesilicon.com](mailto:info@activesilicon.com)  
Website: [www.activesilicon.com](http://www.activesilicon.com)

### North America:

Active Silicon, Inc.  
479 Jumpers Hole Road, Suite 301,  
Severna Park, MD 21146, USA.

Tel: +1 410-696-7642  
Fax: +1 410-696-7643  
Email: [info@activesilicon.com](mailto:info@activesilicon.com)  
Website: [www.activesilicon.com](http://www.activesilicon.com)