

HARRIER 55x AF-ZOOM CAMERA

LVDS / CVBS

AS-CAM-55LHD-A



- 5MP, 1080p 30fps, 55x zoom block camera
- Full HD, LVDS and analog video output
- VISCA serial and Pelco – P/D camera control
- LVDS output compatible with Harrier camera interface boards

FEATURES

- 1/2.8" 5MP Sony IMX335 CMOS sensor.
- 1080p 30/25 fps, 720p 30/25 fps.
- 55x Zoom & 32x Digital Zoom.
- Video Out: LVDS, CVBS
- Wide Dynamic Range (WDR).
- Digital Image Stabilization and Noise Reduction.
- Privacy Mask Function and Intelligent Motion Detection.
- Day & Night mode - Infrared Cut filter Removal (ICR).
- High Light Compensation (HLC).
- Serial VISCA, Pelco - D/P Control Protocol.



AS-CAM-55LHD-A

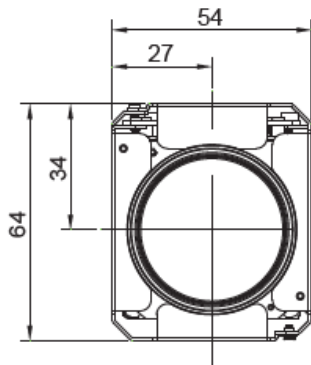
OVERVIEW

The **Harrier 55x AF-Zoom Camera** is a 2MP high resolution camera with a powerful 55x optical hybrid zoom. It provides Full HD video up to 1080p30 with LVDS video and simultaneous CVBS output. Serial VISCA or Pelco-D/P control protocols for camera control are supported.

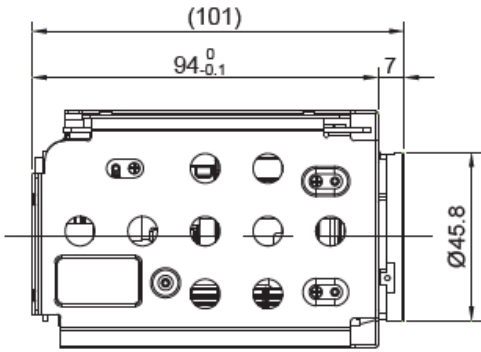
Special features of this autofocus-zoom block camera include: Digital Image Stabilization, Digital Noise Reduction (2D+3D), Privacy Mask Function, High Light Compensation, Intelligent Motion Detection, Defog Function and Day & Night mode (Infrared Cut filter Removal, ICR).

The Harrier 55x AF-Zoom Camera is compatible with all Harrier camera interface boards, which convert the camera LVDS output to video formats such as 3G-SDI, HD-VLC, USB 3 (UVC) and HDMI. For more information, please contact Active Silicon.

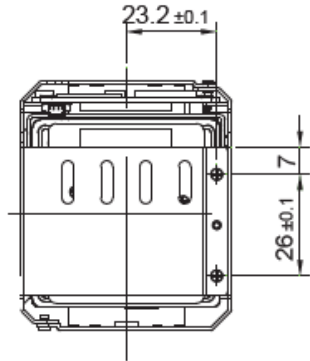
DIMENSIONS



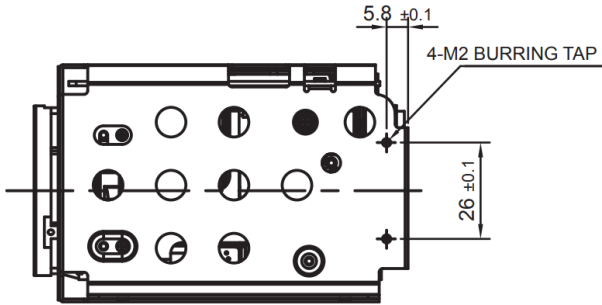
FRONT



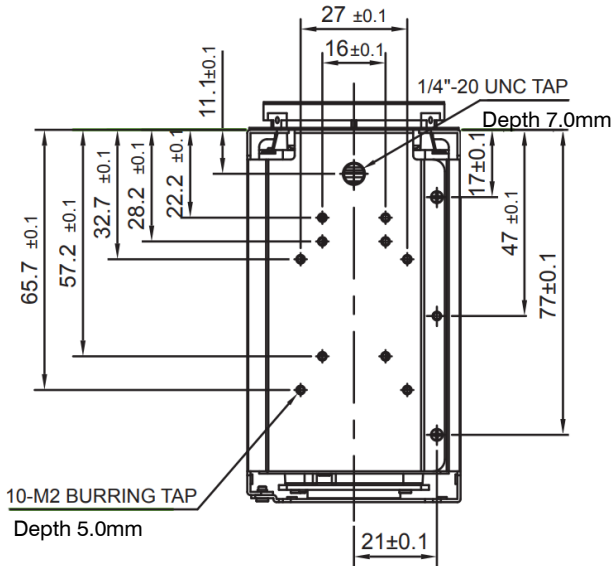
LEFT



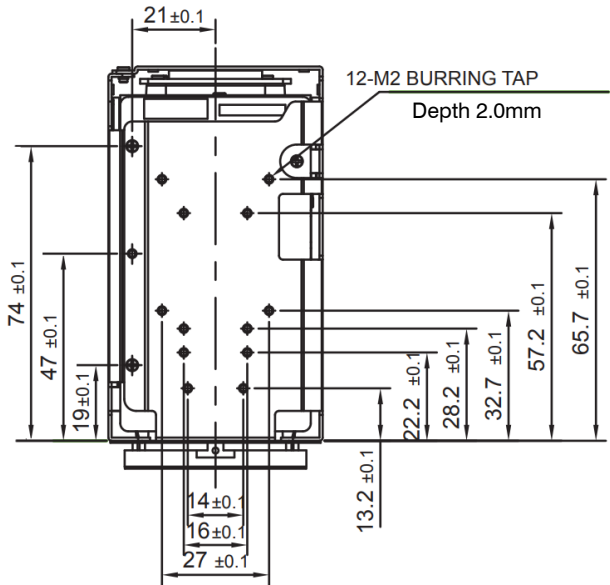
BACK



RIGHT



BOTTOM



TOP

AS-CAM-55LHD-A					
Total Pixels	2,704(H) x 2,104(V) = 5.69M pixels		Active Pixels	2,616(H) x 1,960(V) = 5.13M pixels	
Video Modes	1080p 30/25 fps, 720p 30/25 fps		Minimum Illumination	Color(1/30s, 72.0dB) : 0.02 lux , Color DSS(1/1s, 72.0dB) : 0.002 lux	
S/N ratio ¹	more than 50dB (AGC off)		Focal length	f = 4.25 mm ~ 234 mm	
Aperture	F1.6 (wide) ~ F4.95 (tele)		Exposure	Auto/Iris Priority/Shutter Priority/Manual	
View Angle Wide/Tele	69.3° (D)	62.13° (H)	37.44° (V)	Shutter spd.	1/1 ~ 1/100,000 sec
	1.48° (D)	1.29° (H)	0.73° (V)		Iris
Day & Night	Auto / Day / Night / Ext-in		Brightness	0-14 steps	
Minimum Distance	0.1m - 10.0m (focus near limit range)		White Bal	Auto / One Push / Manual / Indoor / Outdoor / Auto-Ext	
Img. Comp.	OFF / BLC / HLC ²		DSS ³	OFF / 2x / 4x / 8x / 16x / 32x	
Sharpness	0 - 15 steps		DNR ⁴	2D/3D, 2D + 3D (Level: 0-15 steps)	
Defog	OFF / Manual / Auto		Privacy	Mask OFF / ON (8 masks)	
DWDR ⁵	OFF / Manual / Auto		Motion	Detection OFF / ON (4 regions)	
Control Protocol	Serial VISCA Pelco D / P		Baud Rate	2400 / 4800 / 9600 / 19200 / 38400 / 57600 / 115200	
Voltage	9 - 15V DC		Power	Max. 6.5W, Typical ~4W	
Storage	-20°C – +60°C (Humidity: 0%RH – 90%RH)		Operation	-10°C – +50°C (Humidity: 0%RH – 90%RH)	
Dimensions	101(L) x 54(W) x 64(H) mm		Weight	355g	

1: Signal-to-Noise ratio, 2: Back- and High light Compensation, 3: Digital Slow Shutter, 4: Digital Noise Reduction, 5: Digital Wide Dynamic Range



ORDERING INFORMATION

PART NUMBER	DESCRIPTION
AS-CAM-55LHD-A	Harrier 55x AF-Zoom Camera (LVDS/CVBS)
AS-CIB-USBHDMI-002-55LHD-A	Harrier 55x AF-Zoom USB/HDMI Camera
AS-CIB-3GSDI-002-55LHD-A	Harrier 55x AF-Zoom 3G-SDI Camera
AS-CIB-IP-00x-55LHD-A	Harrier 55x AF-Zoom IP Camera; four variants including wireless and PoE options (x=1, 2, 3 or 4)

CONTACT DETAILS

Headquarters:

Active Silicon Ltd
Pinewood Mews, Bond Close, Iver,
Bucks, SL0 0NA, UK.

Tel: +44 (0)1753 650600
Fax: +44 (0)1753 651661
Email: info@activesilicon.com
Website: www.activesilicon.com

North America:

Active Silicon, Inc.
479 Jumpers Hole Road, Suite 301,
Severna Park, MD 21146, USA.

Tel: +1 410-696-7642
Fax: +1 410-696-7643
Email: info@activesilicon.com
Website: www.activesilicon.com

15 September 2023 CAM-40x AFZ