

# M12 LENS - 2.5mm FOCAL LENGTH

For board-level cameras  
AS-LS-M12-025-F23-A



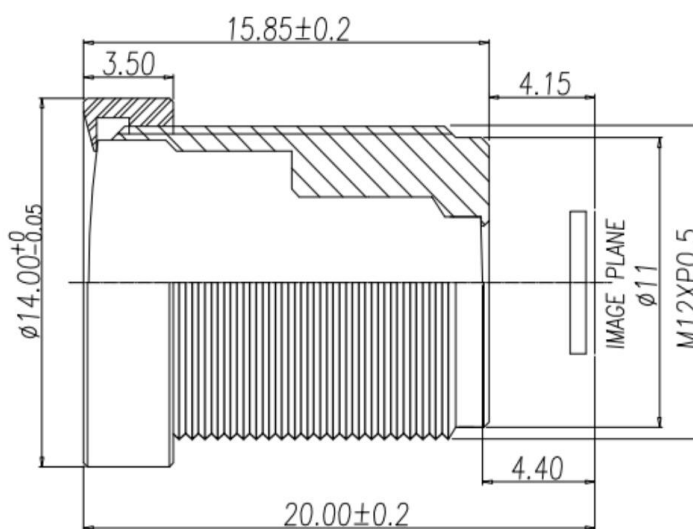
- Lens with M12 mount
- For sensors up to 1/3"
- For Oriole HD-SDI Board Camera and similar

## FEATURES

- Focal length: 2.5mm
- Resolution: 2MP
- 1/4" sensor FoV: D: 123°, H: 98.4°, V: 73.8°
- Mount M12x0.5



## Dimensions



<b>AS-LS-M12-025-F23-A</b>			
<b>Focal Length</b>	2.5mm	<b>Mount</b>	M12x0.5
<b>Type</b>	M12 / S-mount lens	<b>Aperture</b>	F2.3
<b>TTL<sup>1</sup></b>	20.2mm	<b>Back focal length</b>	4.4mm
<b>Viewing angle</b>	For 1/4": D: 123°, H: 98.4°, V: 73.8°	<b>Dimensions</b>	14mm diam. x 15.85mm length
<b>Construction</b>	4G	<b>Lens material</b>	Glass
<b>Distortion</b>	<-16%	<b>IR corrected</b>	No
<b>Resolution</b>	2MP	<b>Sensor type</b>	up to 1/3"
<b>Weight</b>	6g	<b>Operating temperature</b>	-20°C to +85°C

1. Total Track Length: the distance from the surface of the image sensor to the top of the lens.

## ORDERING INFORMATION

<b>PART NUMBER</b>	<b>DESCRIPTION</b>
<b>AS-LS-M12-025-F23-A</b>	M12 lens with 2.5mm focal length for board-level camera.
<b>AS-BCAM-S32-00-B</b>	Oriole HD-SDI Board Camera, with switchable IR-cut filter.



## CONTACT DETAILS

### Headquarters:

Active Silicon Ltd  
Pinewood Mews, Bond Close, Iver,  
Bucks, SL0 0NA, UK.

Tel: +44 (0)1753 650600  
Fax: +44 (0)1753 651661  
Email: [info@activesilicon.com](mailto:info@activesilicon.com)  
Website: [www.activesilicon.com](http://www.activesilicon.com)

18-Sep-2023 LS-M12 2.5mm

### North America:

Active Silicon, Inc.  
479 Jumpers Hole Road, Suite 301,  
Severna Park, MD 21146, USA.

Tel: +1 410-696-7642  
Fax: +1 410-696-7643  
Email: [info@activesilicon.com](mailto:info@activesilicon.com)  
Website: [www.activesilicon.com](http://www.activesilicon.com)