

M12 LENS - 8mm FOCAL LENGTH

For board-level cameras
AS-LS-M12-080-F25-A



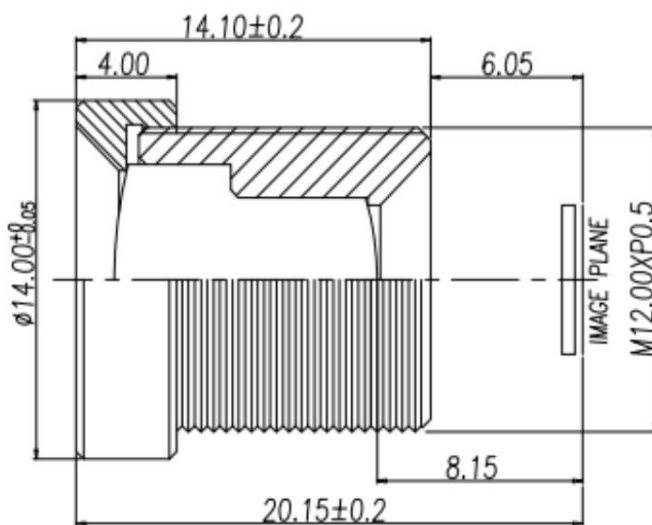
- Lens with M12 mount
- For sensors up to 1/3"
- For Oriole HD-SDI Board Camera and similar

FEATURES

- Focal length: 8mm
- Resolution: 2MP
- 1/3" sensor FoV: D: 40°, H: 34.4°, V: 25.8°
- Mount M12x0.5



Dimensions



AS-LS-M12-080-F25-A			
Focal Length	8mm	Mount	M12x0.5
Type	M12 / S-mount lens	Aperture	F2.5
TTL¹	20.15mm	Back focal length	8.15mm
Viewing angle	For 1/3": D: 40°, H: 34.4°, V: 25.8°	Dimensions	14mm diam. x 14.1mm length
Construction	4G	Lens material	Glass
Distortion	<-1.5%	IR corrected	No
Resolution	2MP	Sensor type	up to 1/3"
Weight	4g	Operating temperature	-20°C to +85°C

1. Total Track Length: the distance from the surface of the image sensor to the top of the lens.

ORDERING INFORMATION

PART NUMBER	DESCRIPTION
AS-LS-M12-080-F25-A	M12 lens with 8mm focal length for board-level cameras.
AS-BCAM-S32-00-B	Oriole HD-SDI Board Camera, with switchable IR-cut filter.



CONTACT DETAILS

Headquarters:

Active Silicon Ltd
Pinewood Mews, Bond Close, Iver,
Bucks, SL0 0NA, UK.

Tel: +44 (0)1753 650600
Fax: +44 (0)1753 651661
Email: info@activesilicon.com
Website: www.activesilicon.com

13-Sep-2023 LS-M12 8mm

North America:

Active Silicon, Inc.
479 Jumpers Hole Road, Suite 301,
Severna Park, MD 21146, USA.

Tel: +1 410-696-7642
Fax: +1 410-696-7643
Email: info@activesilicon.com
Website: www.activesilicon.com