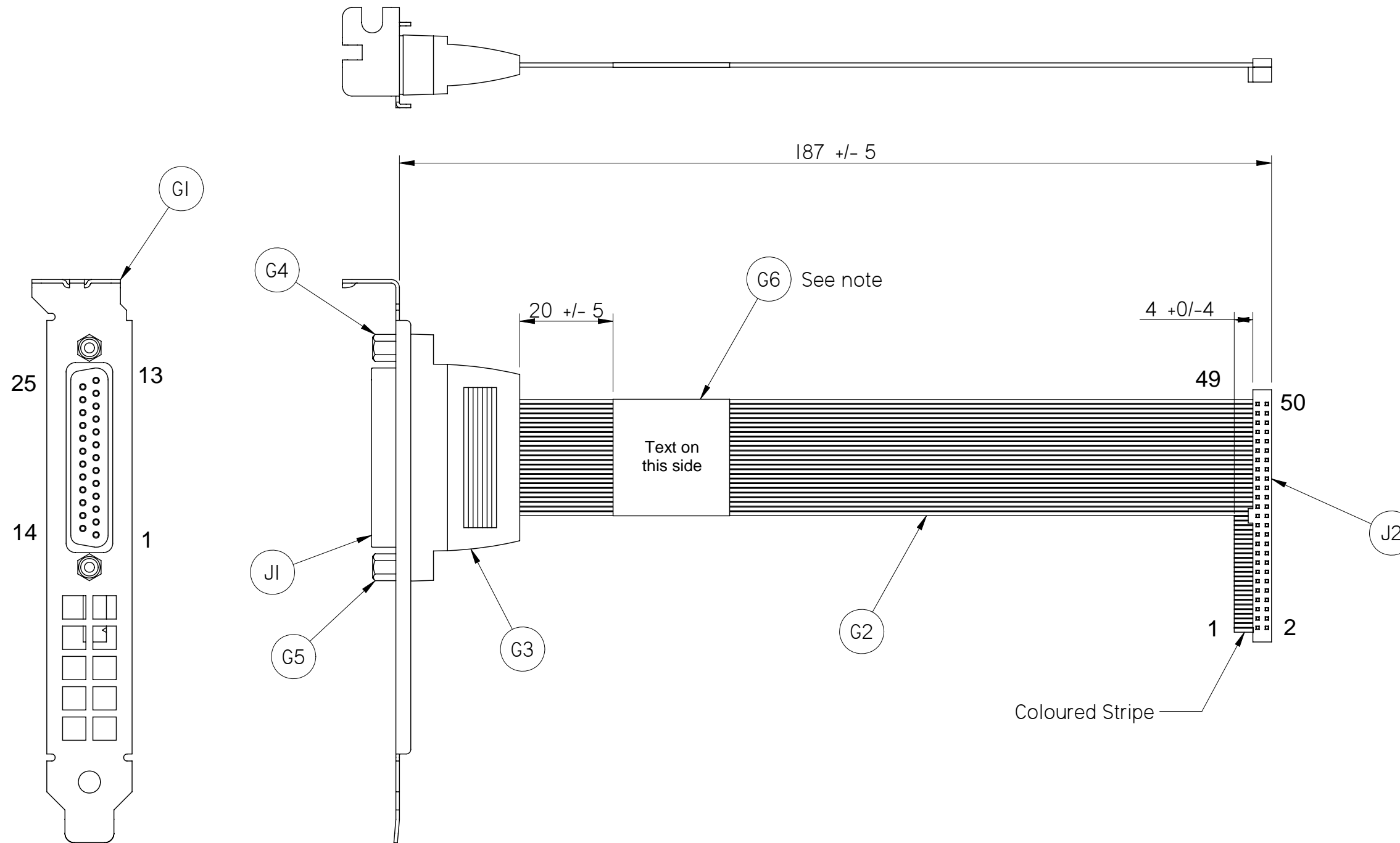


3RD ANGLE PROJECTION
DO NOT SCALE

ASL PART NUMBER
CBL-130-889S




SCALE 1:1

NOTES

1. Wires to be soldered to D-Type J1.
2. Apply threadlock (Loctite 242) to screwlocks G4 and G5.

G6 Label Text
FireBird I/O Adapter
AS-FBD-ADP-25D-IO-A
Rev 02
CBL-130-889S

All Dimensions in mm's Tolerance ± U.O.S

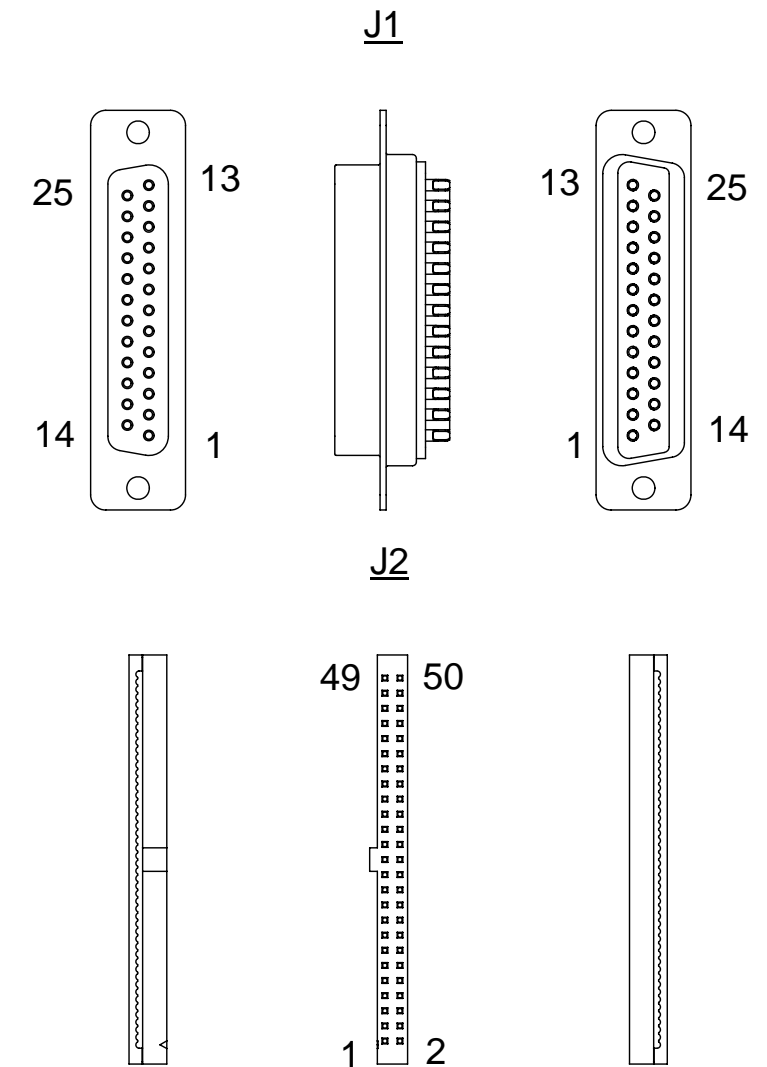
 © 2013 Active Silicon Limited
This information should not be supplied to a third party without prior consent, in writing, from Active Silicon.

TITLE		
FireBird I/O Adapter AS-FBD-ADP-25D-IO-A		
DRAWN Keith Baker	DATE 11-Feb-13	APPROVED PL ✓ PE ✓ TD ✓
DRAWING NUMBER GA-AP20-0185-0201	SHT No. 1 of 2	A 3

3RD ANGLE PROJECTION
DO NOT SCALE

ASL PART NUMBER
CBL-130-889S

Wiring List		
J1 25 way D-Type	J2 50 way IDC Header	Signal Name
1	26	422_OUT_3-
14	27	422_OUT_4+
2	28	422_OUT_4-
15	29	GND
3	30	GND
16	31	422_IN_1+
4	32	422_IN_1-
17	33	422_IN_2+
5	34	422_IN_2-
18	35	422_IN_3+
6	36	422_IN_3-
19	37	422_IN_4+
7	38	422_IN_4-
20	39	GND
8	40	GND
21	41	TTL_OUT5V_1
9	42	TTL_OUT5V_2
22	43	TTL_OUT5V_3
10	44	TTL_OUT5V_4
23	45	TTL_IN5V_1
11	46	TTL_IN5V_2
24	47	TTL_IN5V_3
12	48	TTL_IN5V_4
25	49	GND
13	50	GND



Unused Pins	
J2	1 - 25

SCALE 1:1

All Dimensions in mm's Tolerance ± U.O.S

© 2013 Active Silicon Limited
This information should not be supplied to a third party without prior consent, in writing, from Active Silicon.

TITLE			
FireBird I/O Adapter AS-FBD-ADP-25D-IO-A			
DRAWN Keith Baker	DATE 11-Feb-13	APPROVED PL ✓ PE ✓ TD ✓	
DRAWING NUMBER GA-AP20-0185-0201			SHT No. A 2 of 2 3