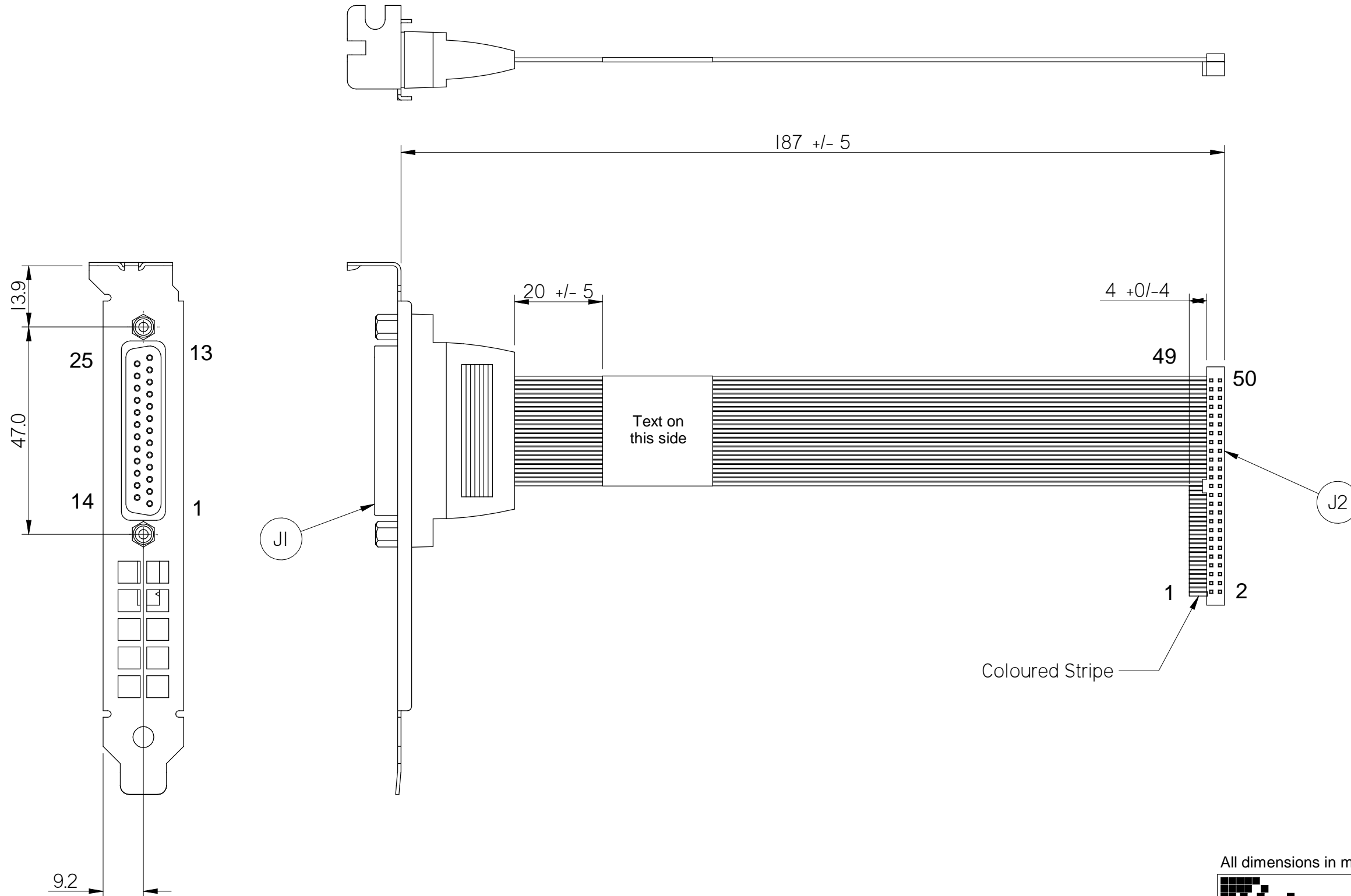


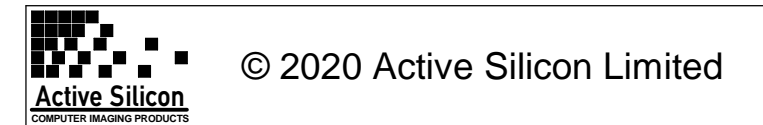
3RD ANGLE PROJECTION
DO NOT SCALE

PART NUMBER
AS-FBD-ADP-25D-IO-A



Label Text
FireBird I/O Adapter
AS-FBD-ADP-25D-IO-A
Rev 02
CBL-130-889S

All dimensions in millimetres (mm) and for reference only



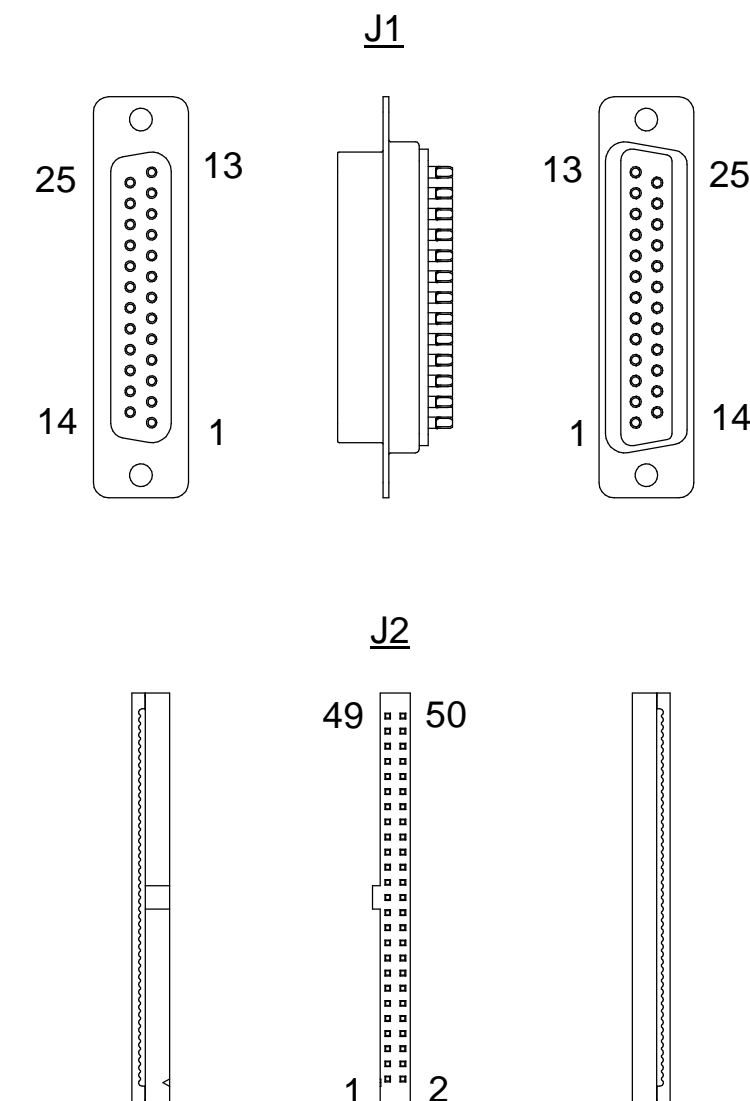
TITLE
**Mechanical Overview
FireBird I/O Adapter**

DRAWN Keith Baker	DATE 27-Jan-20	APPROVED PL ✓ PE ✓ TD ✓
----------------------	-------------------	----------------------------

DRAWING NUMBER MO-AP20-0066-0201	SHT No. 1 of 2	A 3
--	-------------------	---------------

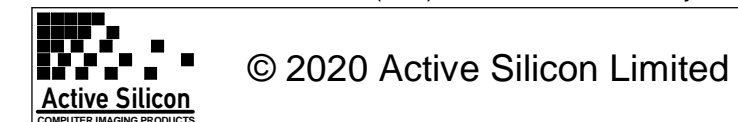
Whilst every effort has been made to ensure that the information contained in this drawing and the associated CAD data in electronic form is accurate and correct, Active Silicon cannot be held liable for errors or omissions. Should any errors or omissions be discovered, Active Silicon will use all reasonable endeavours to correct and re-issue the drawings and CAD data as fast as practical.

Wiring List		
J1 25 way D-Type	J2 50 way IDC Header	Signal Name
1	26	422_OUT_3-
14	27	422_OUT_4+
2	28	422_OUT_4-
15	29	GND
3	30	GND
16	31	422_IN_1+
4	32	422_IN_1-
17	33	422_IN_2+
5	34	422_IN_2-
18	35	422_IN_3+
6	36	422_IN_3-
19	37	422_IN_4+
7	38	422_IN_4-
20	39	GND
8	40	GND
21	41	TTL_OUT5V_1
9	42	TTL_OUT5V_2
22	43	TTL_OUT5V_3
10	44	TTL_OUT5V_4
23	45	TTL_IN5V_1
11	46	TTL_IN5V_2
24	47	TTL_IN5V_3
12	48	TTL_IN5V_4
25	49	GND
13	50	GND



Unused Pins	
J2	1 - 25

All dimensions in millimetres (mm) and for reference only



TITLE
**Mechanical Overview
FireBird I/O Adapter**

DRAWN Keith Baker	DATE 27-Jan-20
----------------------	-------------------

DRAWING NUMBER MO-AP20-0066-0201	SHT No. 2 of 2	A 3
--	-------------------	---------------

Whilst every effort has been made to ensure that the information contained in this drawing and the associated CAD data in electronic form is accurate and correct, Active Silicon cannot be held liable for errors or omissions. Should any errors or omissions be discovered, Active Silicon will use all reasonable endeavours to correct and re-issue the drawings and CAD data as fast as practical.