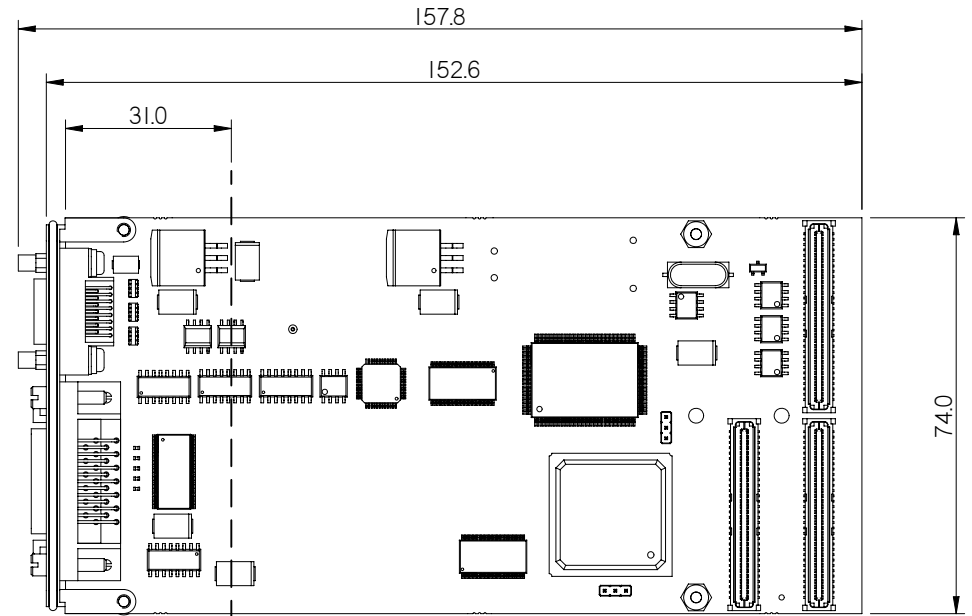
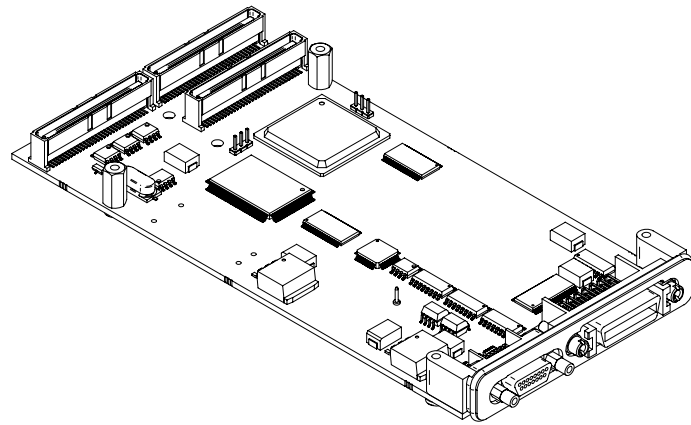
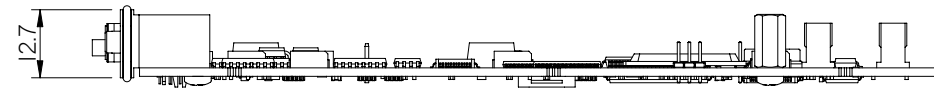
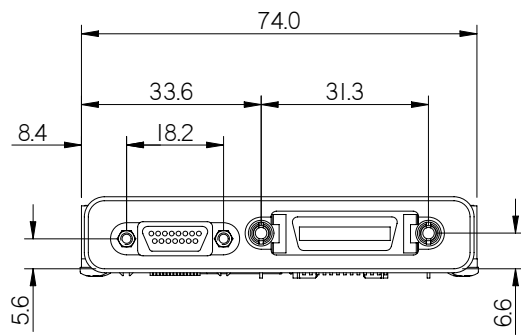


3RD ANGLE PROJECTION
DO NOT SCALE



MAX COMPONENT HEIGHT IN THIS AREA - 9.5mm
MAX COMPONENT HEIGHT IN THIS AREA - 4.7mm



MAX COMPONENT HEIGHT ON THIS SIDE - 1.9mm

All Dimensions in mm's and for reference only

© 2009 Active Silicon Ltd
This information should not be supplied to a third party without prior consent, in writing, from Active Silicon.

TITLE
**Mechanical Overview
Phoenix D24CL-PMC32**

DRAWN Keith Baker	DATE 23-Nov-09	APPROVED PL ✓ PE ✓ TD ✓
----------------------	-------------------	----------------------------

DRAWING NUMBER MO-AP06C7-0001-0201	SHT No. -
---------------------------------------	--------------